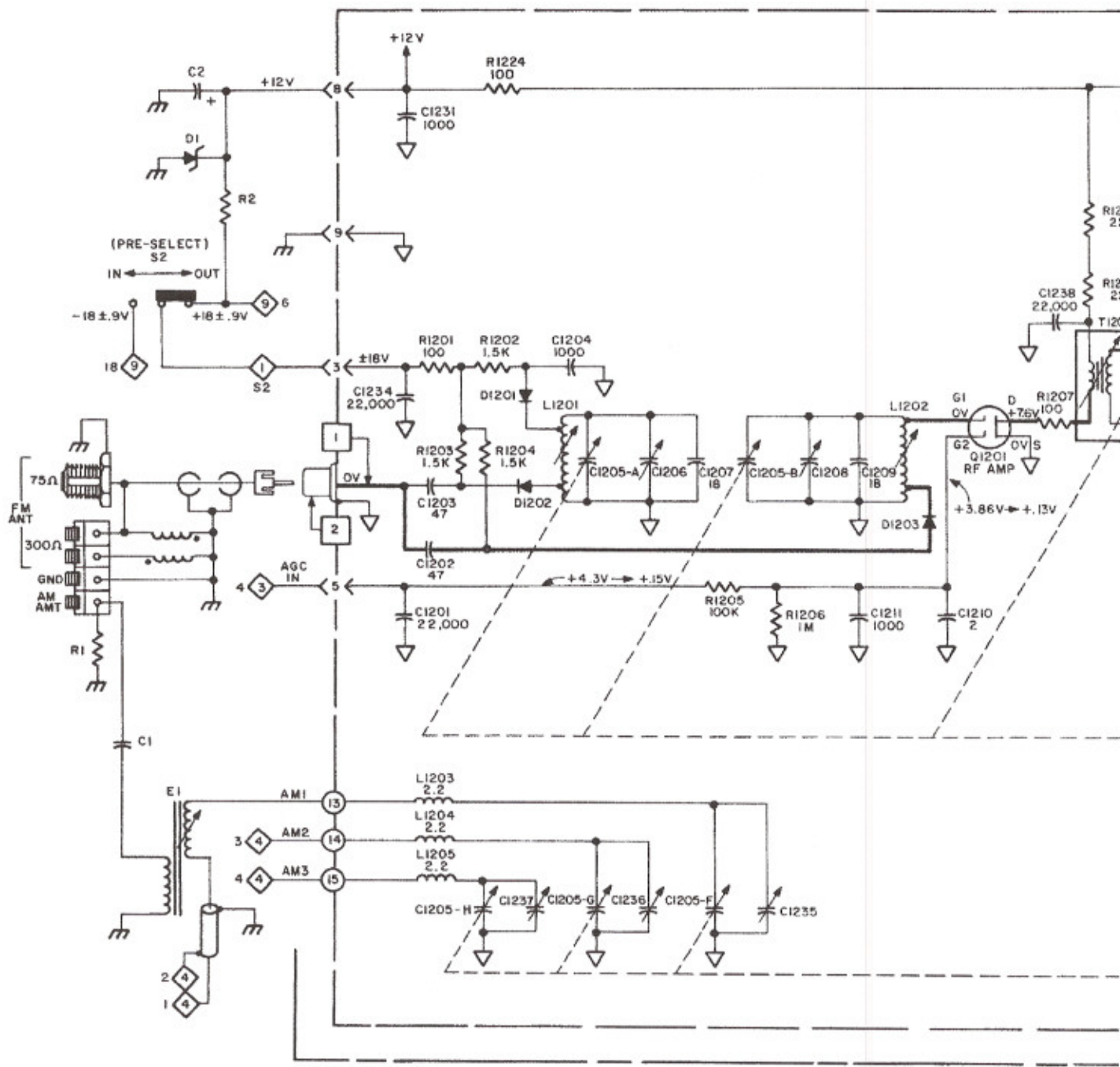
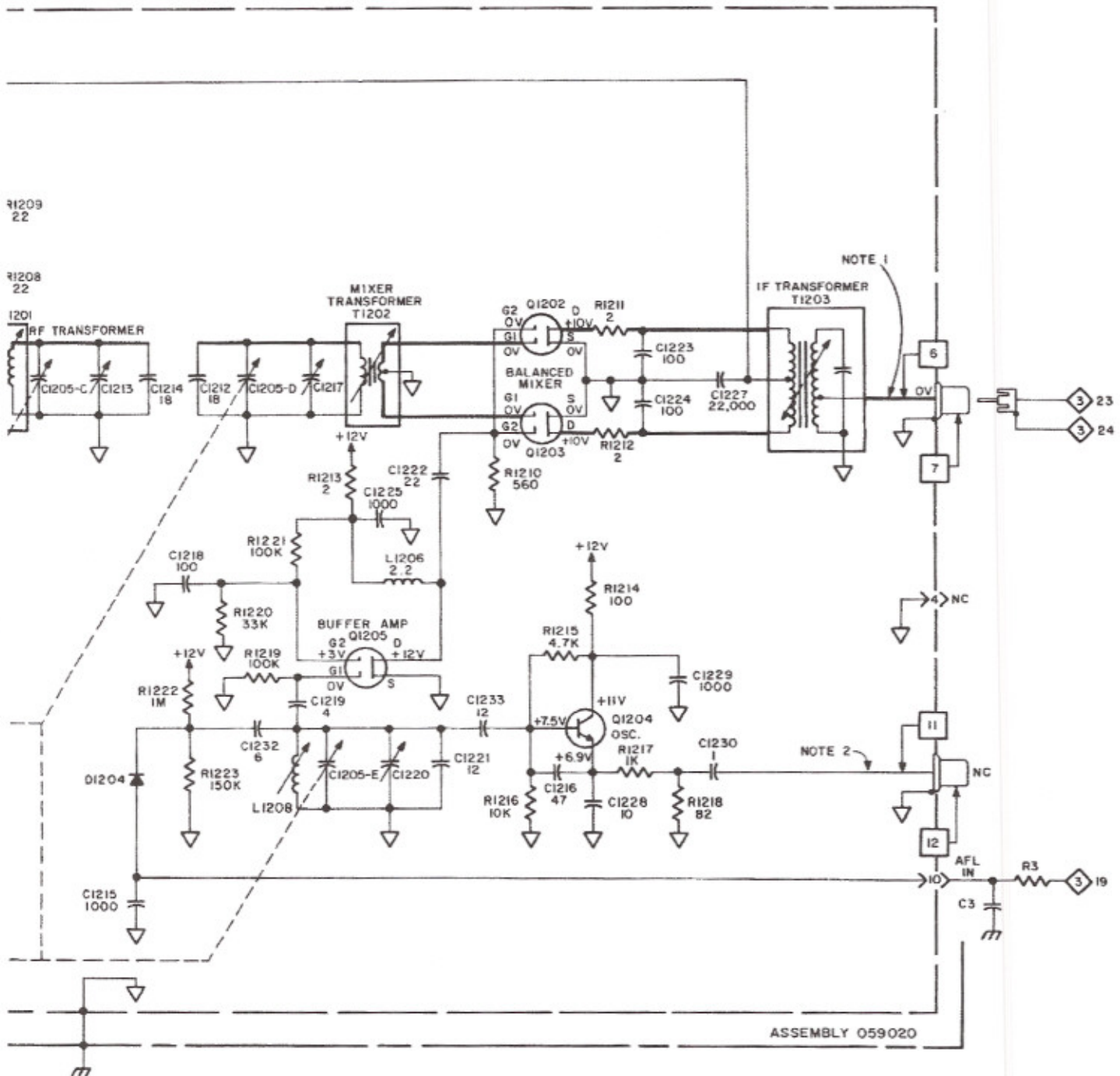


McINTOSH MX 117 AM/FM TUNER PREAMPLIFIER

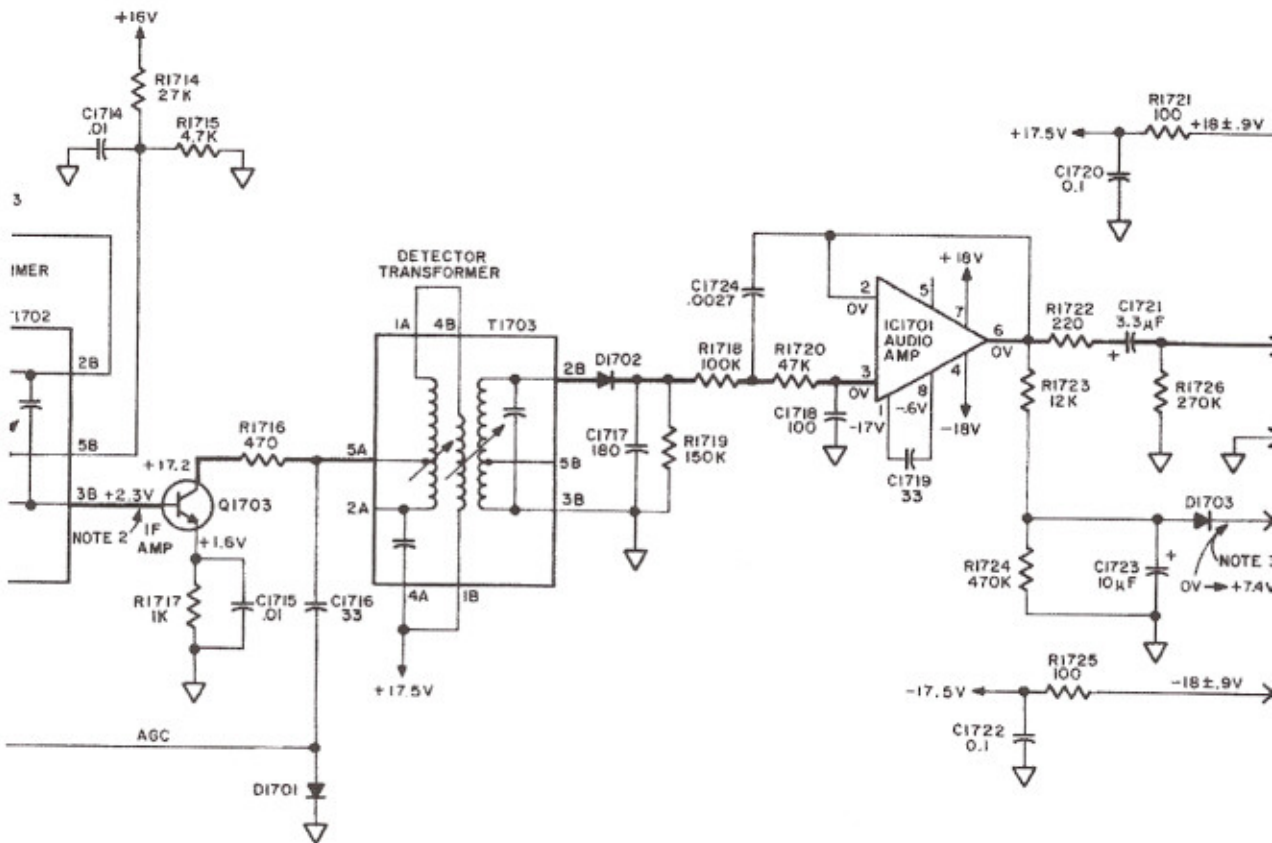
Block Diagram



Schematic No. 156015A



F ASSEMBLY



Part No. 039355

MX 117

AM / FM TUNER PREAMP

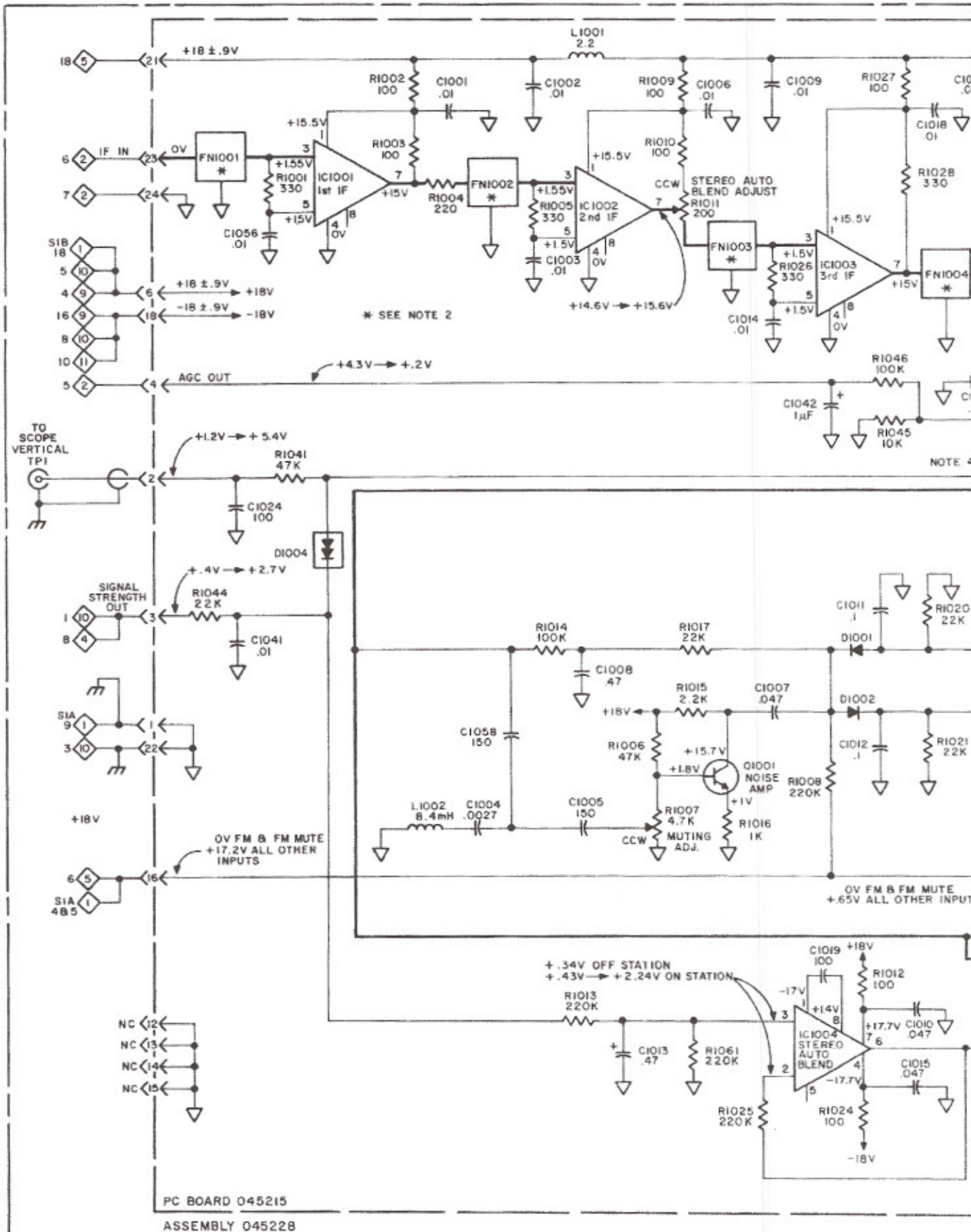
McIntosh
schematic information

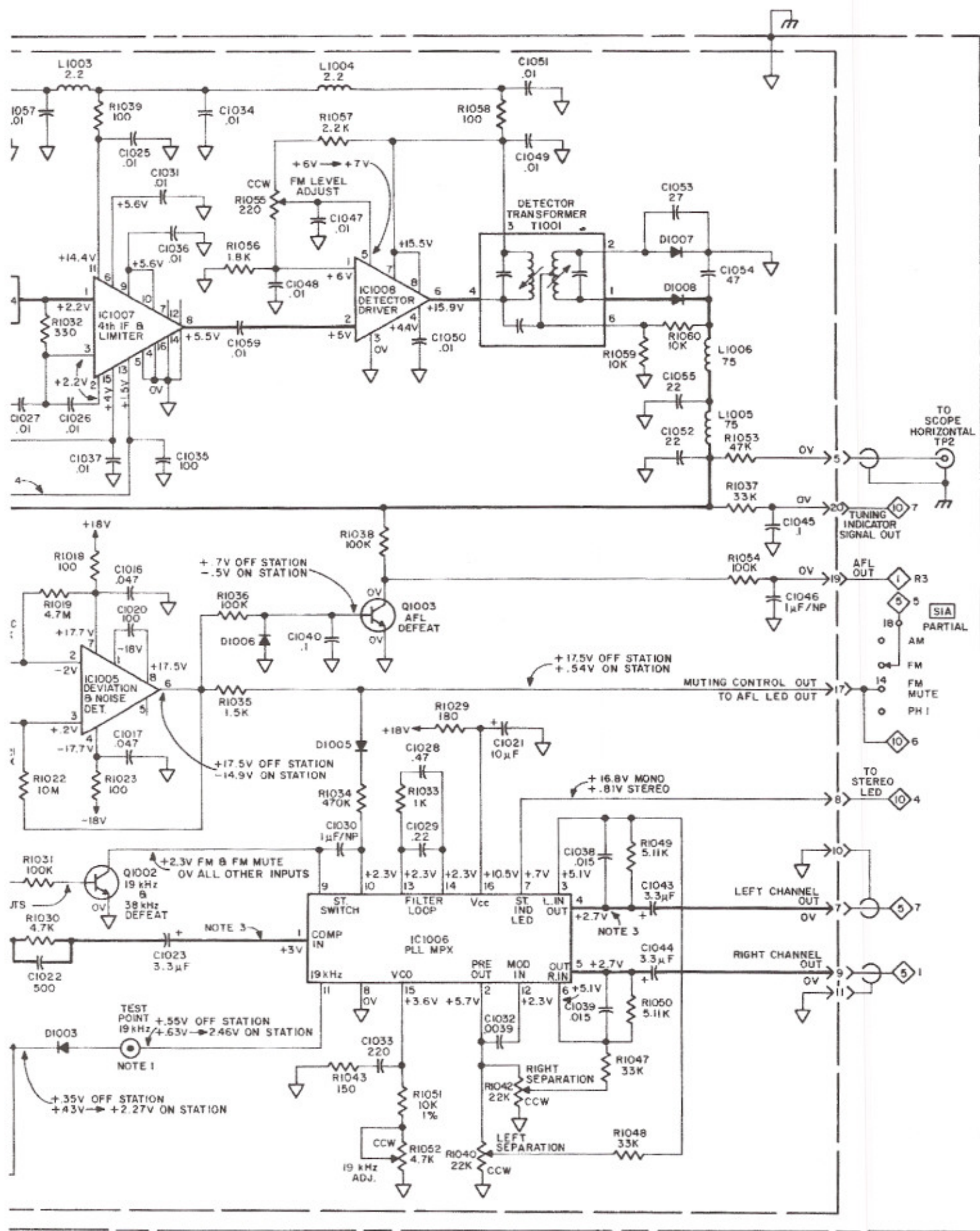
SHEET 1 OF 2

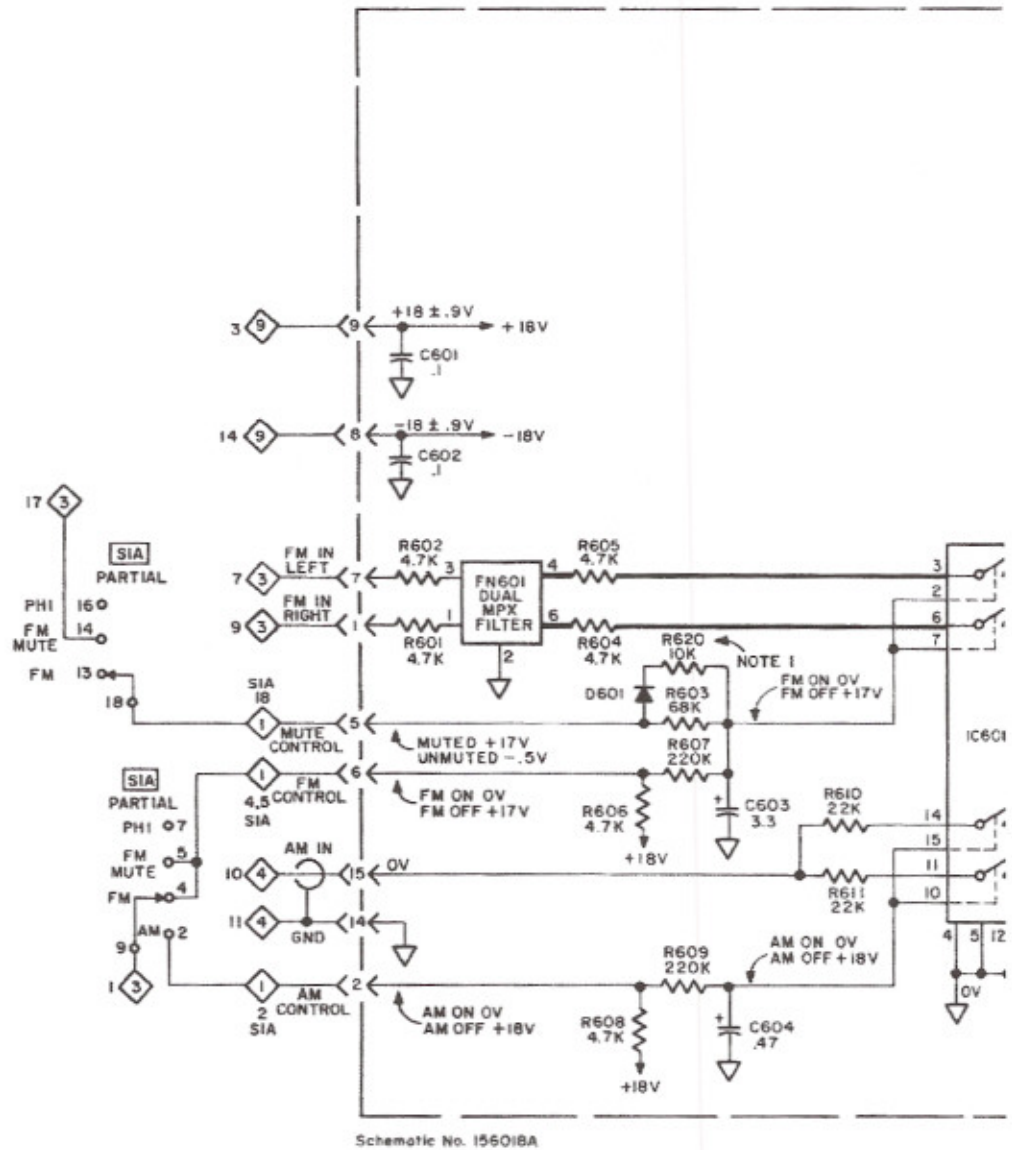
The continuous improvement of its products is the policy of McIntosh Laboratory Incorporated, who reserve the right to improve design without notice. Because of the constant upgrading of McIntosh products' circuitry and components, the Company cannot insure, and does not warrant, the accuracy of the within schematic material, which is intended for information only.

McINTOSH LABORATORY INC. 2 CHAMBERS ST. BINGHAMTON, NY 13903

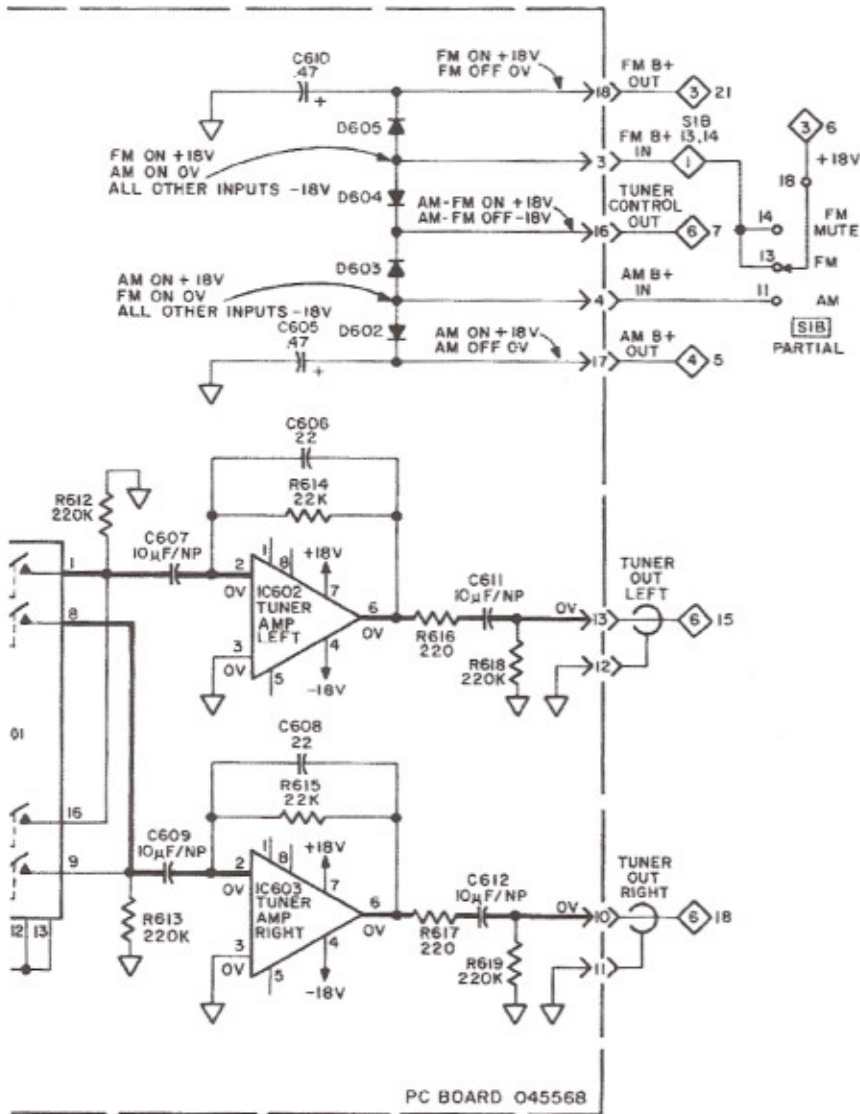
Printed in U.S.A.

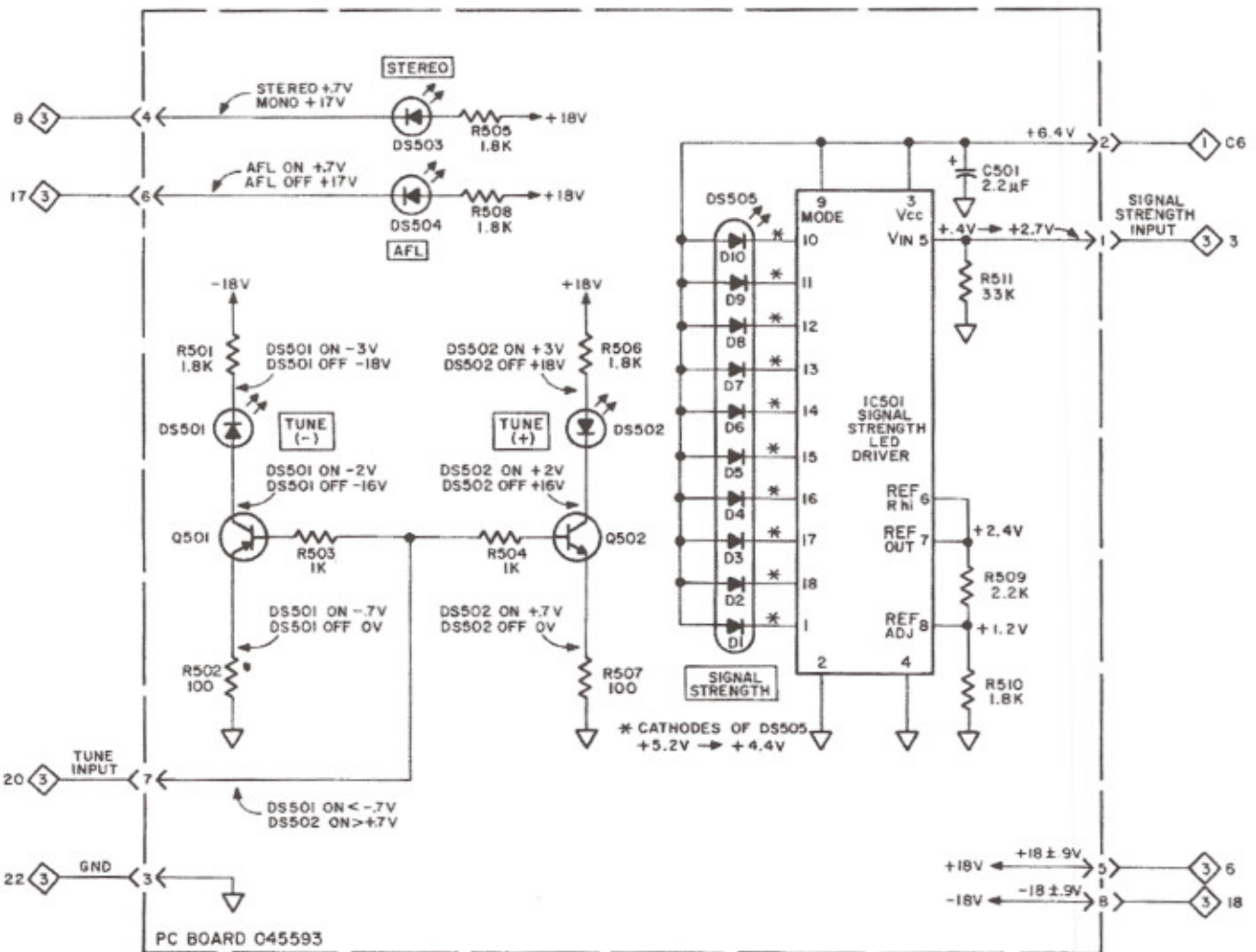






PX, AFL, 
MBLY





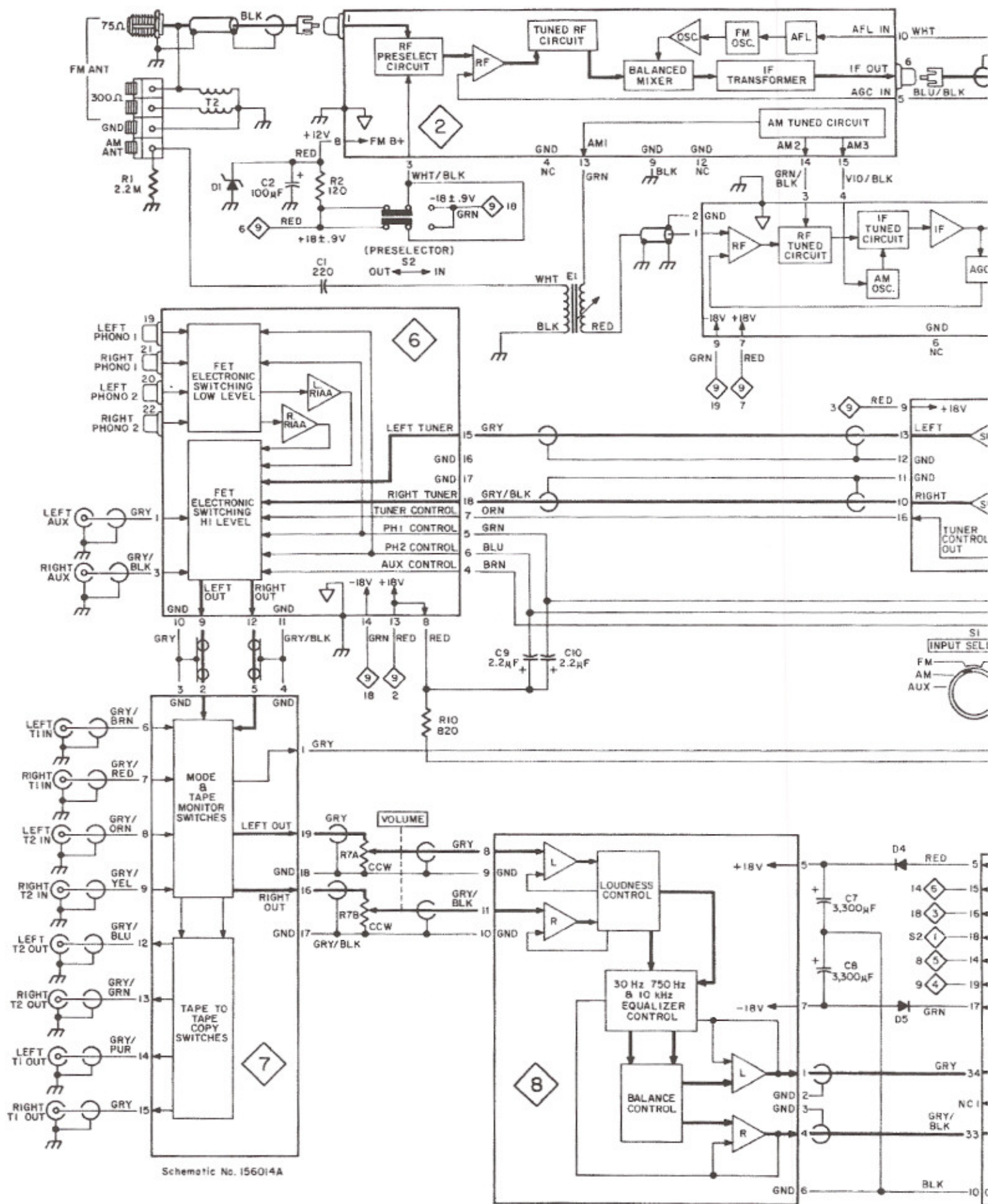
Schematic No. I56023A

Section

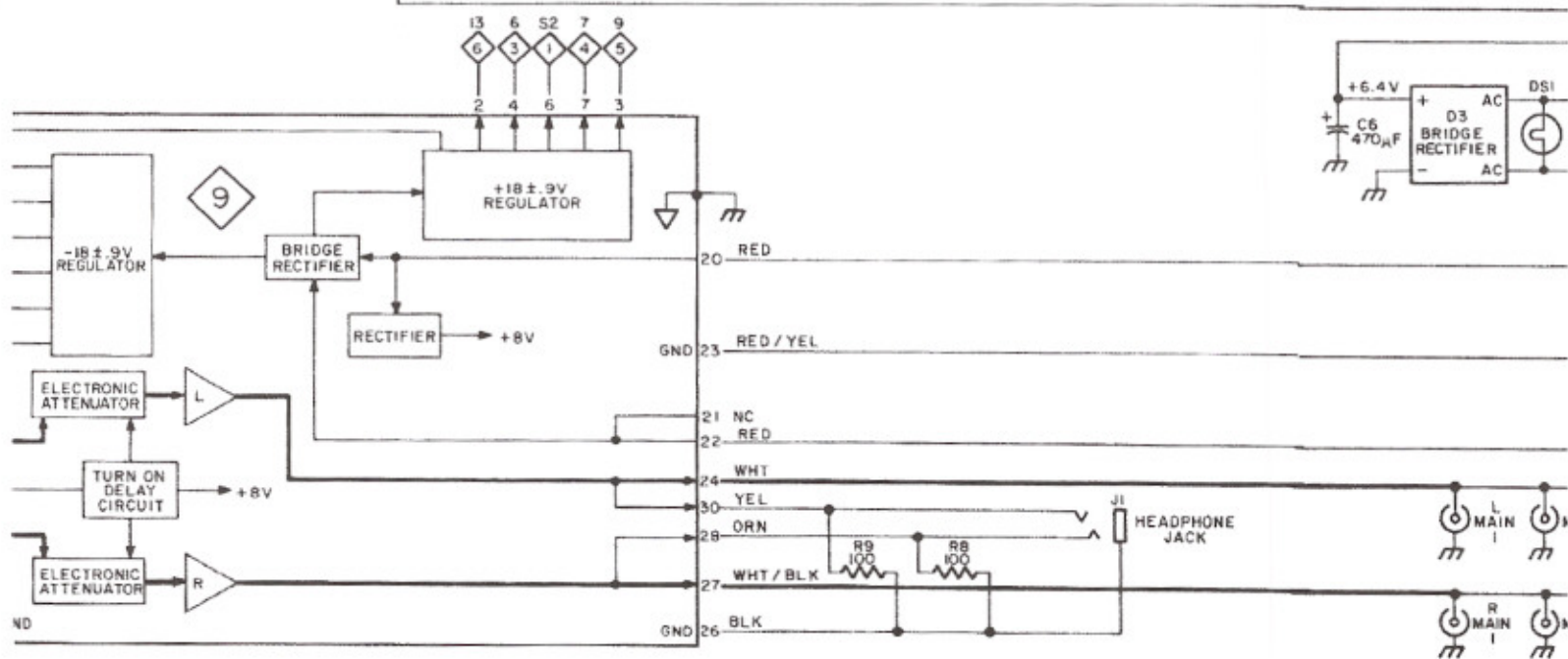
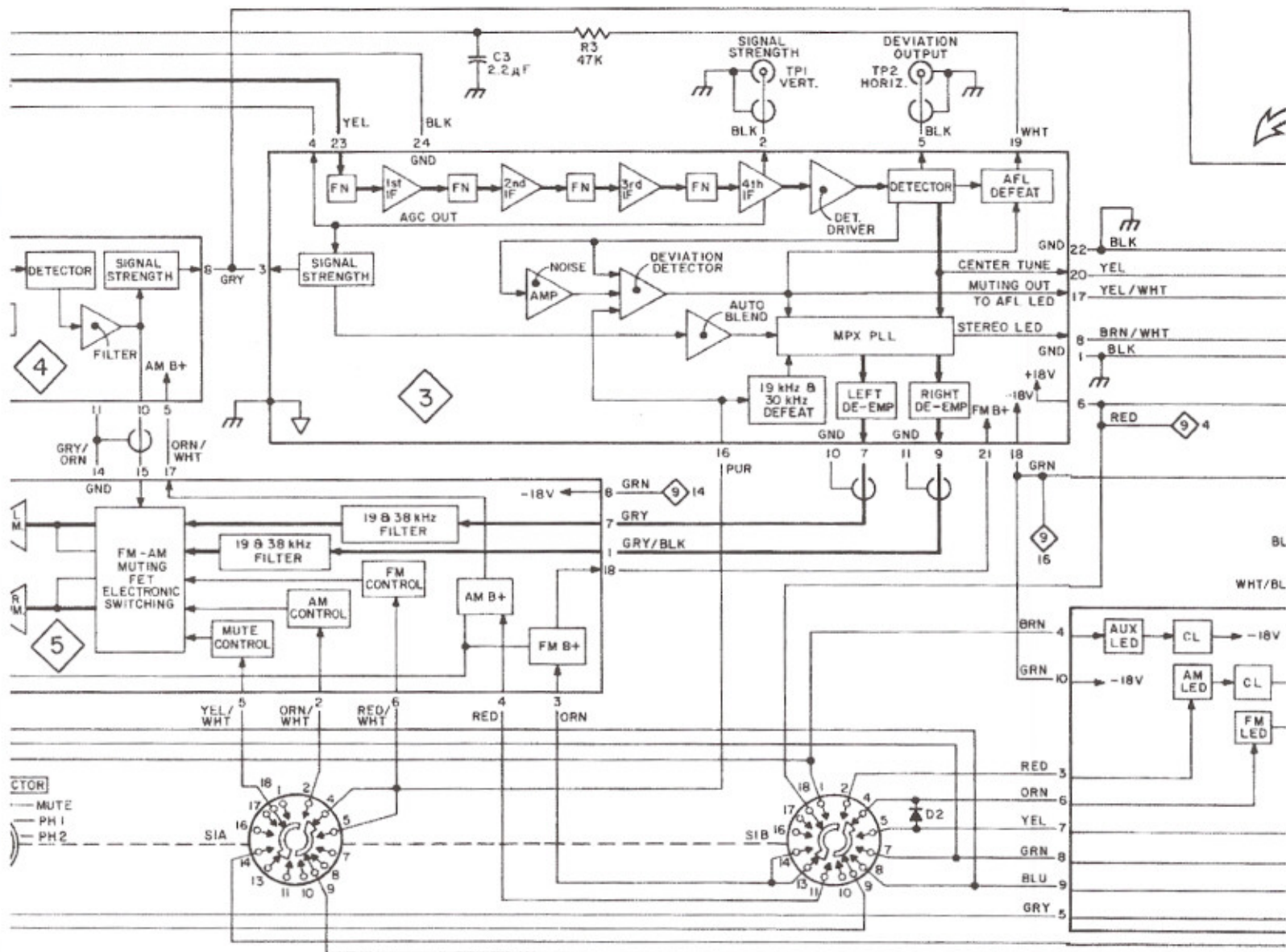
10

SIGNAL / TUNING DISPLAY

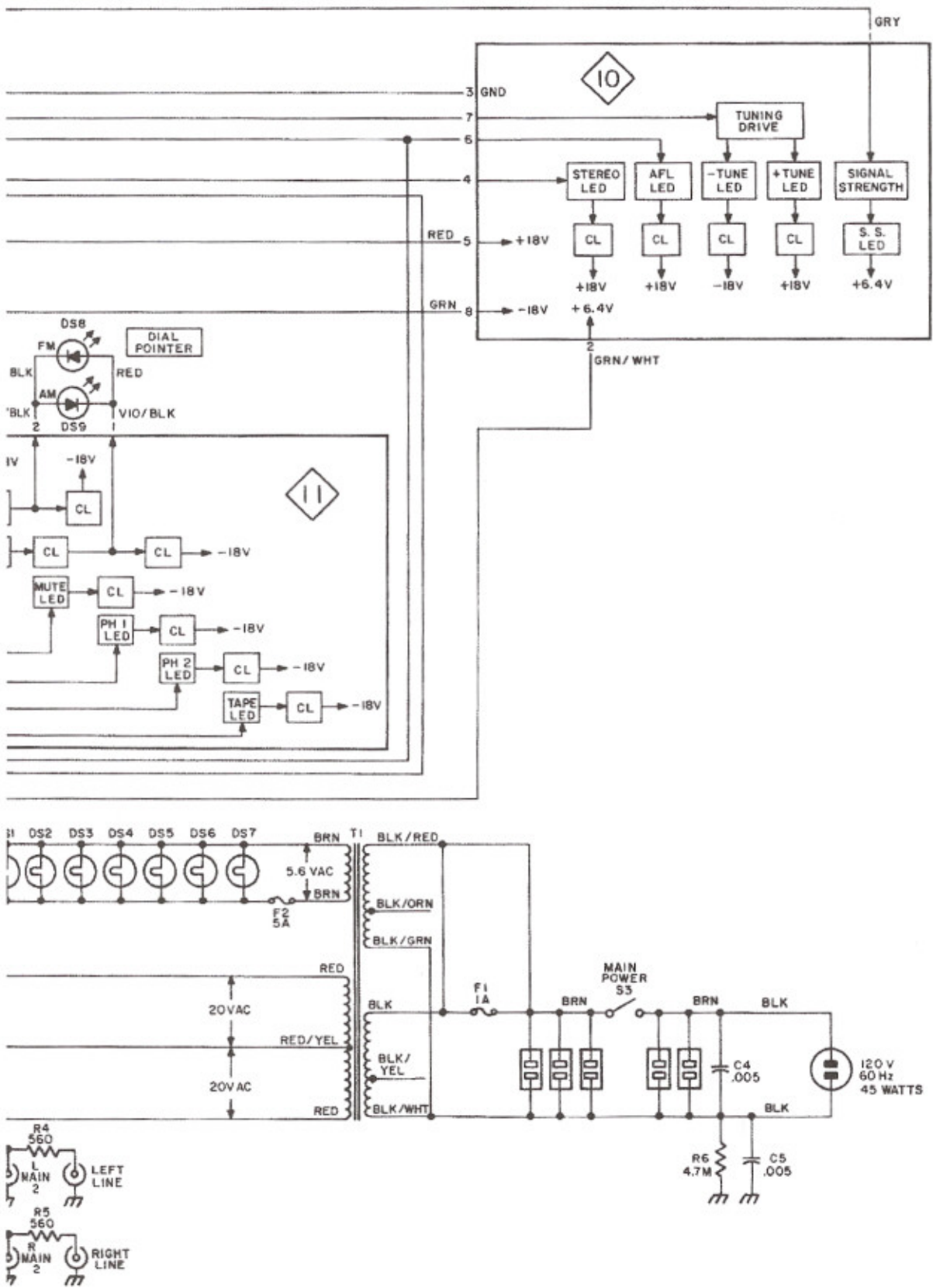


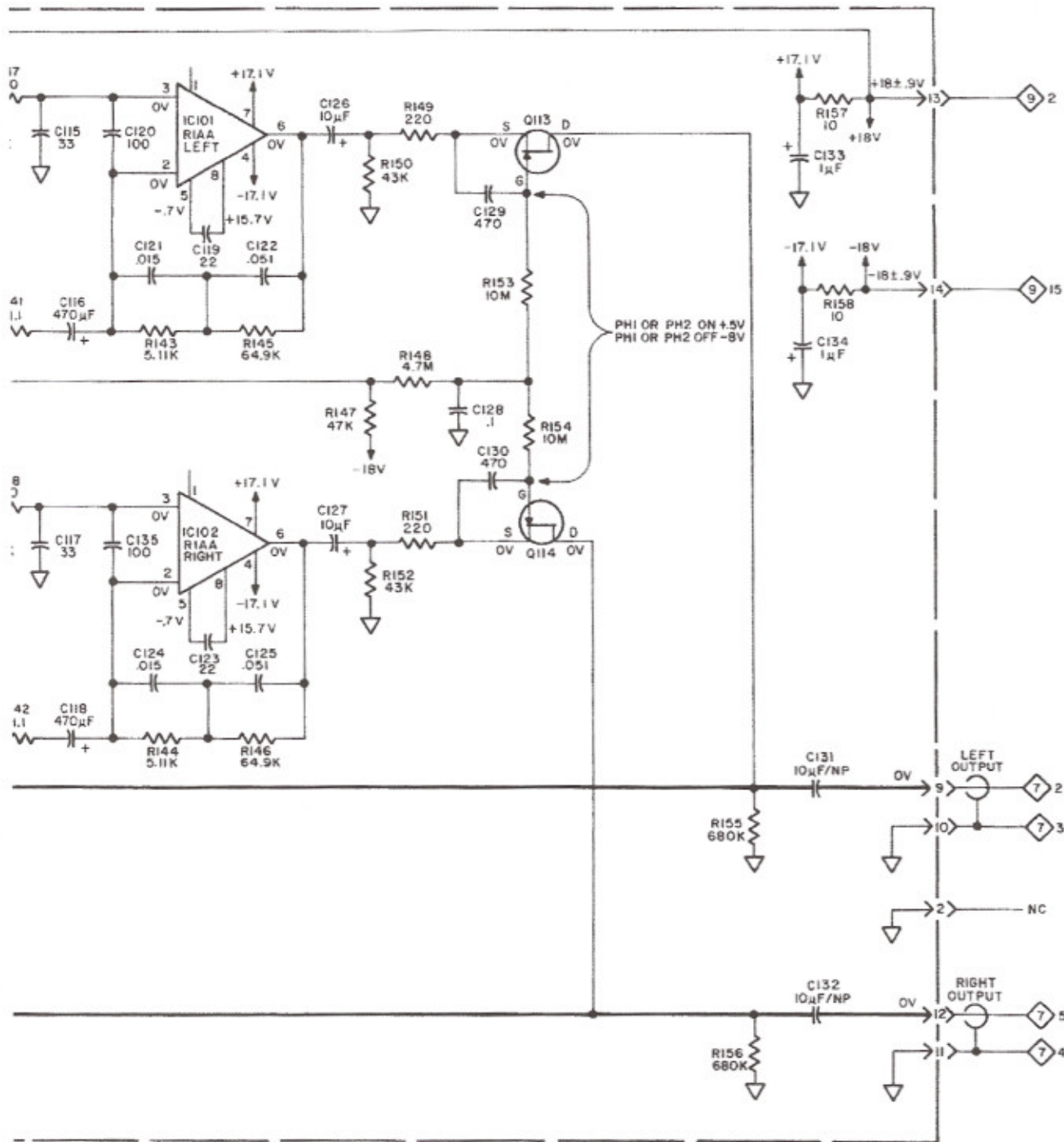


Schematic No. 156014A



Section **1** INTERCONNECTION DIAGRAM





Schematic No 156019A



Section



PHONO PREAMP and INPUT SELECTION ASSEMBLY

McIntosh
schematic information

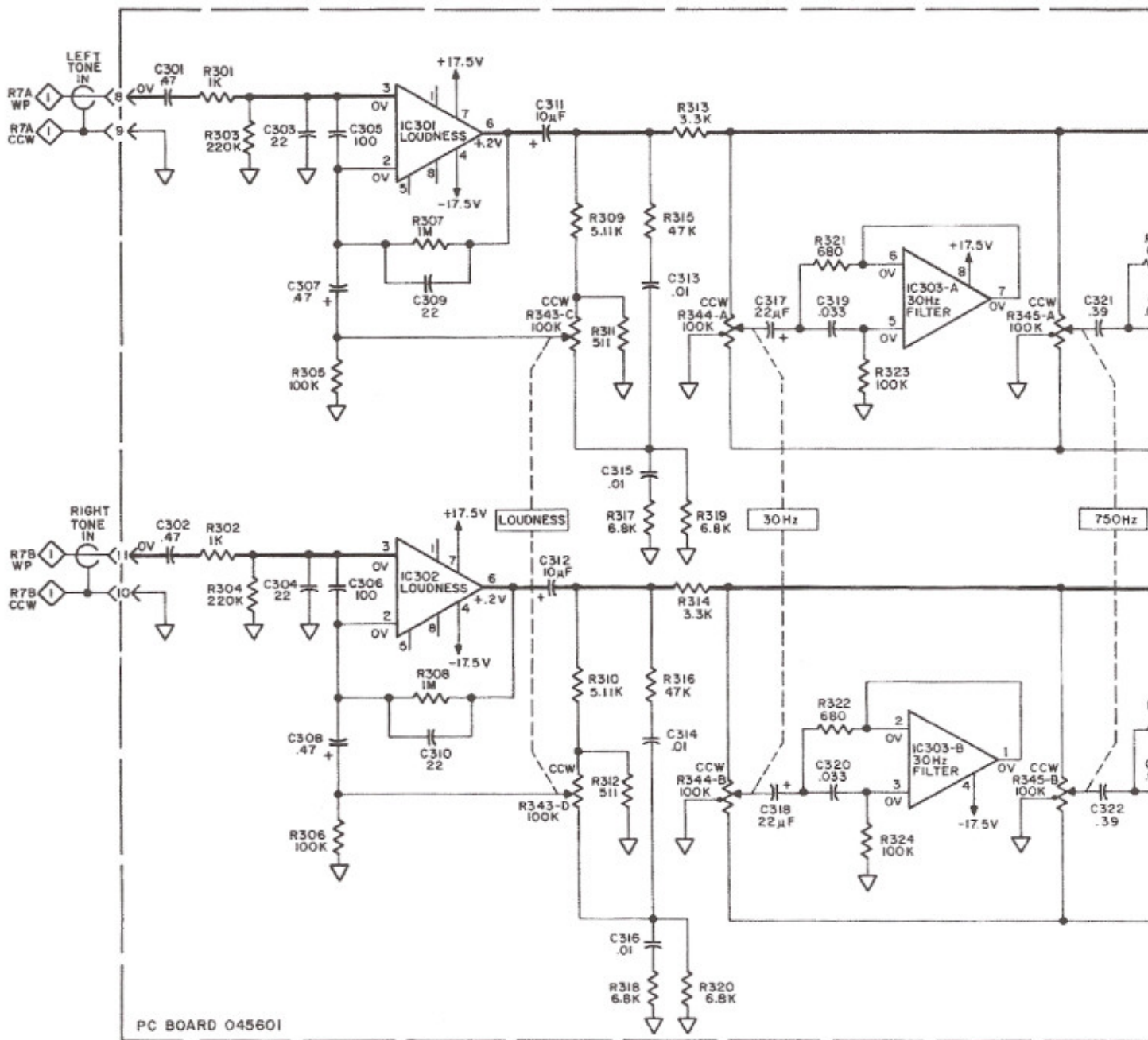
MX 117
AM / FM TUNER PREAMP

SHEET 2 OF 2

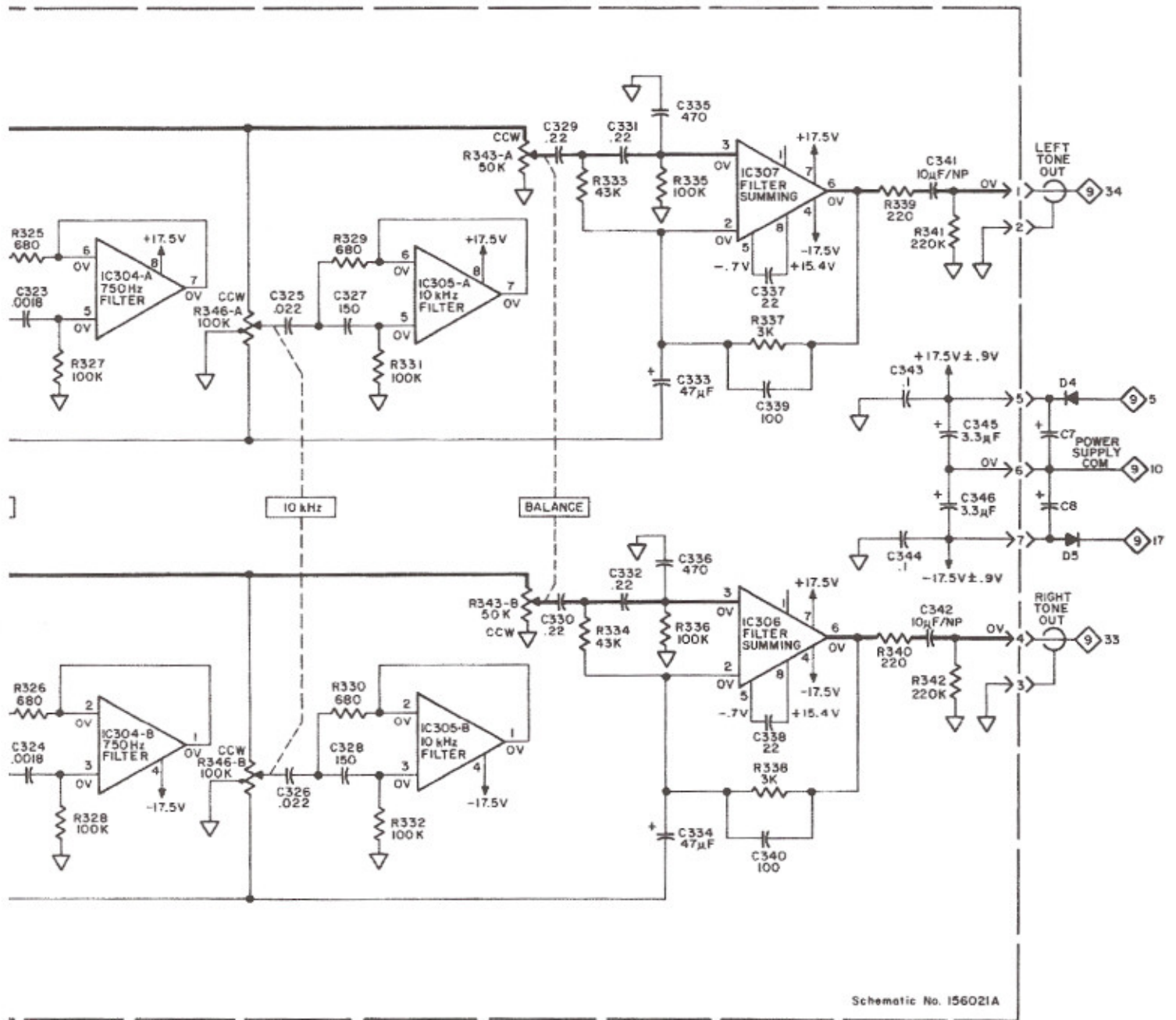
The continuous improvement of its products is the policy of McIntosh Laboratory Incorporated, who reserve the right to improve design without notice. Because of the constant upgrading of McIntosh products' circuitry and components, the Company cannot insure, and does not warrant, the accuracy of the within schematic material, which is intended for information only.

McINTOSH LABORATORY INC. 2 CHAMBERS ST. BINGHAMTON, NY 13903

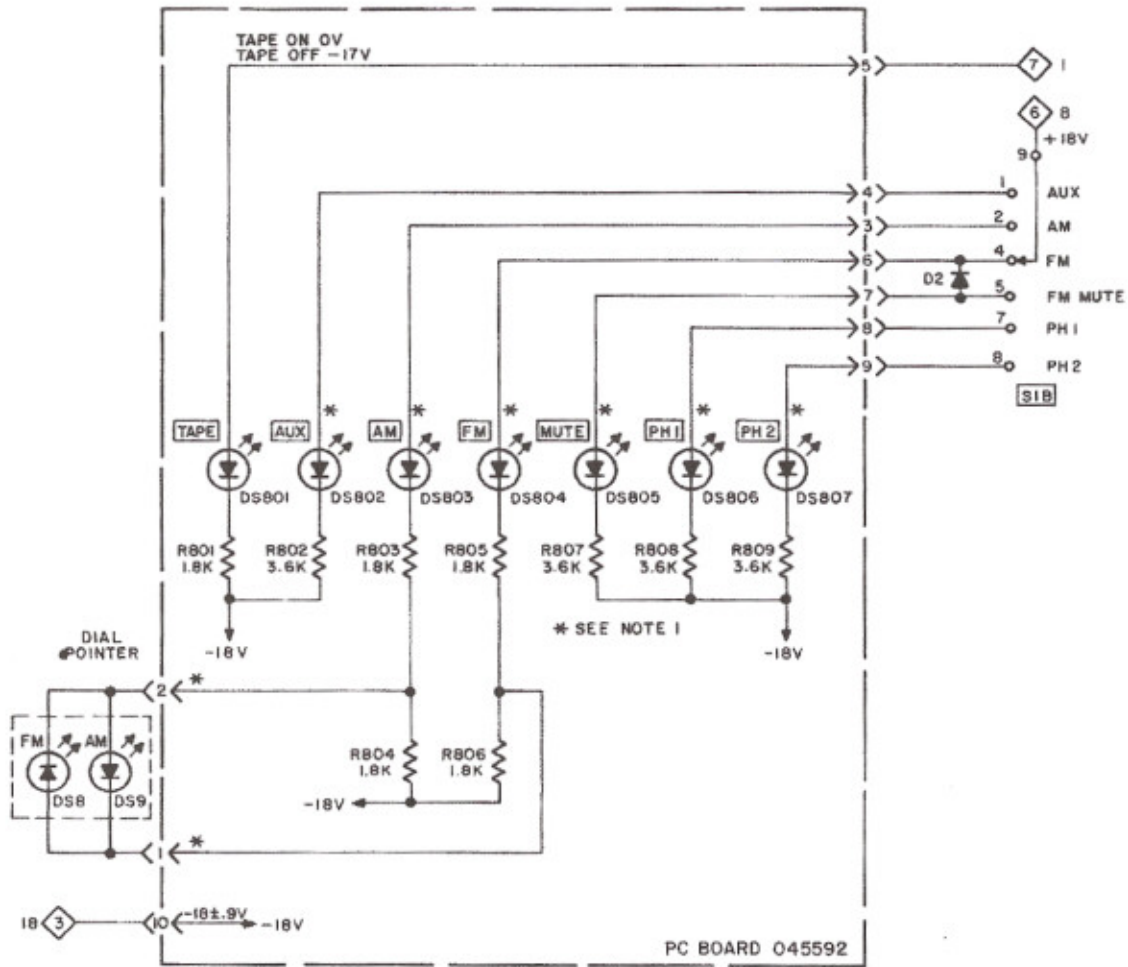
Printed in U.S.A.



Section **8** EQUALIZER, LOUDNESS and

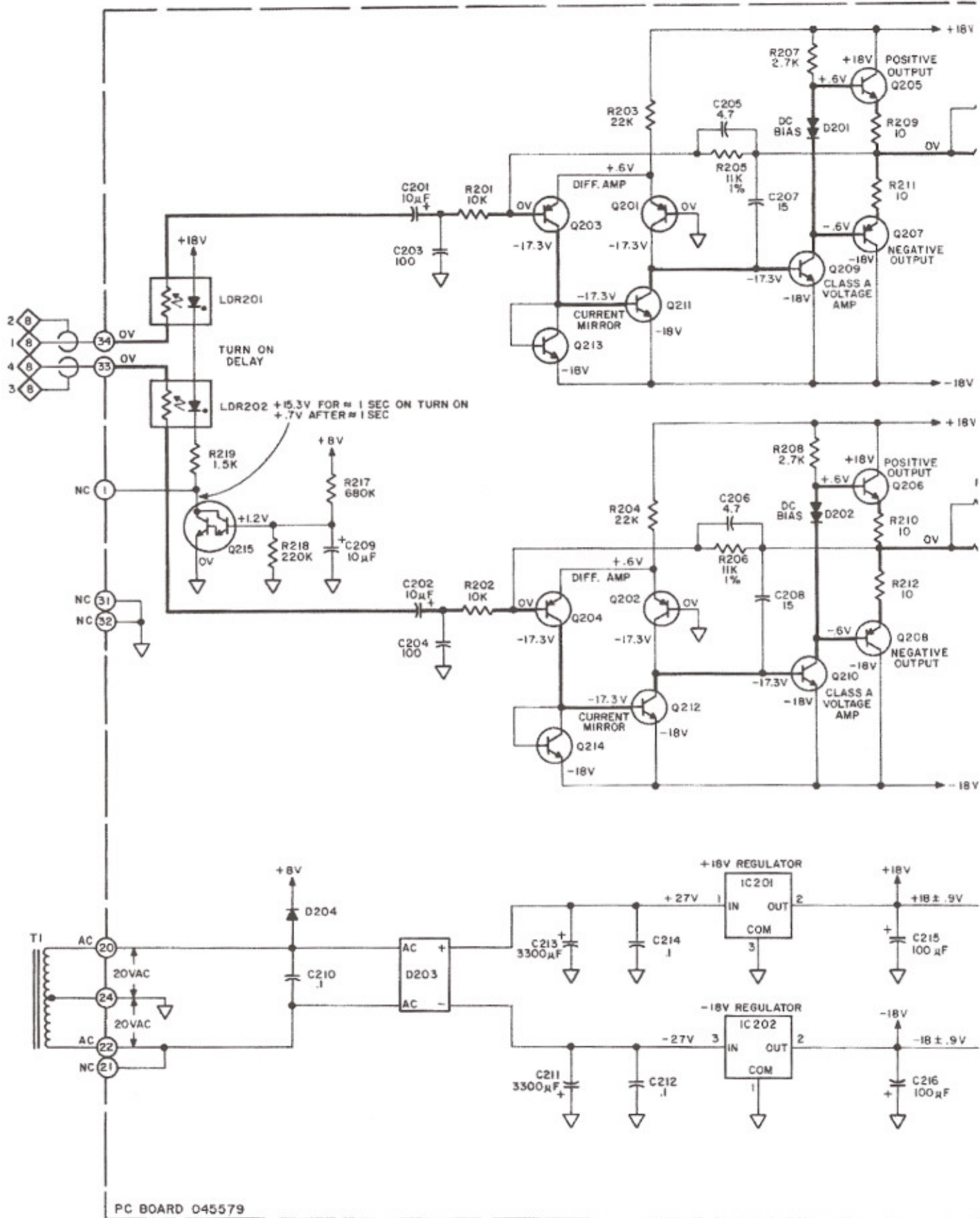


ind BALANCE ↗



Schematic No. 156024A

Section **11** DISPLAY FUNCTIONS 

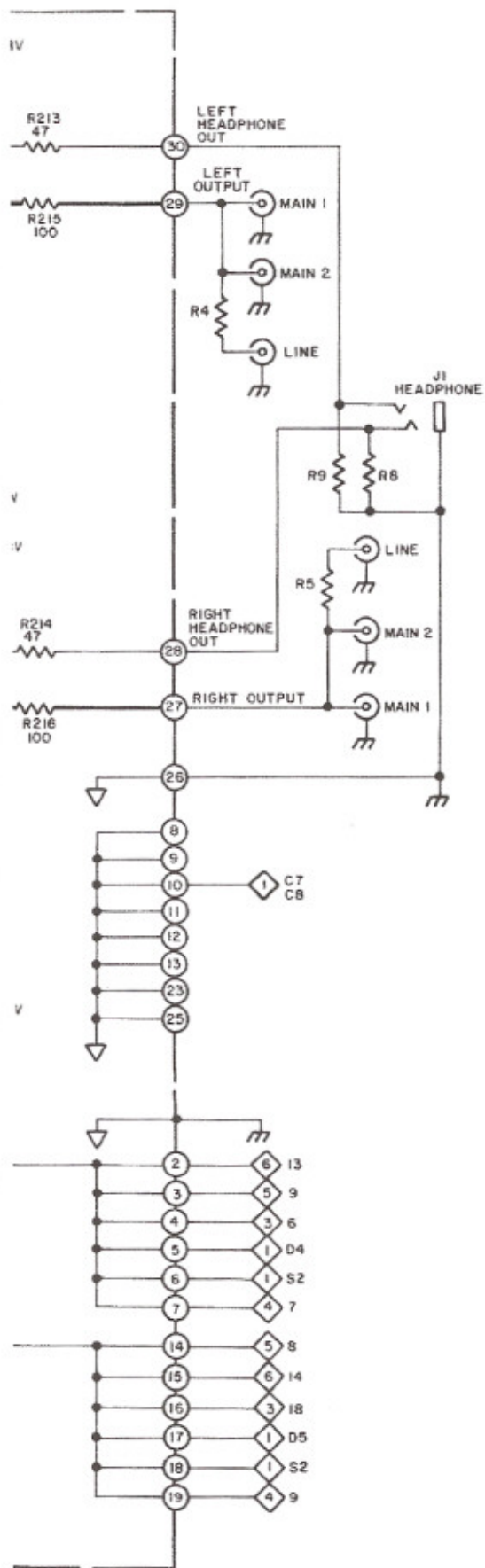


Section

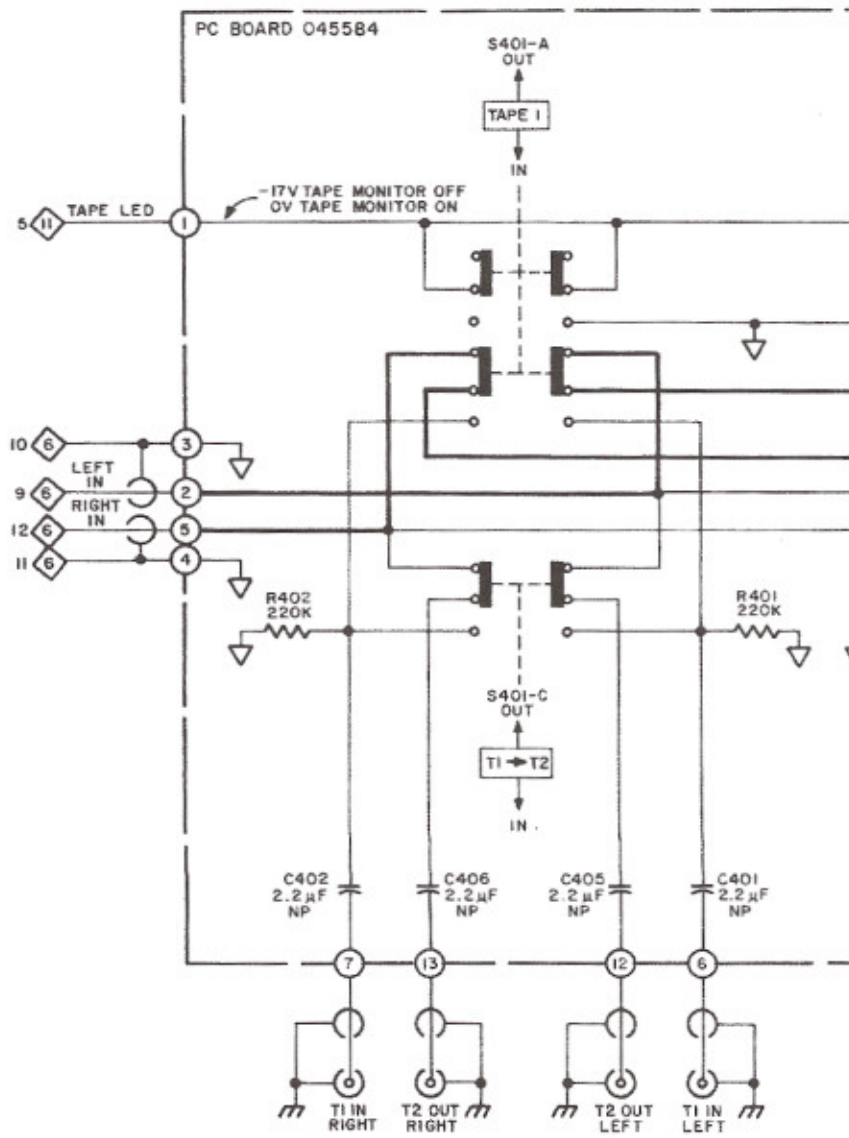
9

HEADPHONE AMPLIFIER, TURN-ON
DELAY and POWER SUPPLY

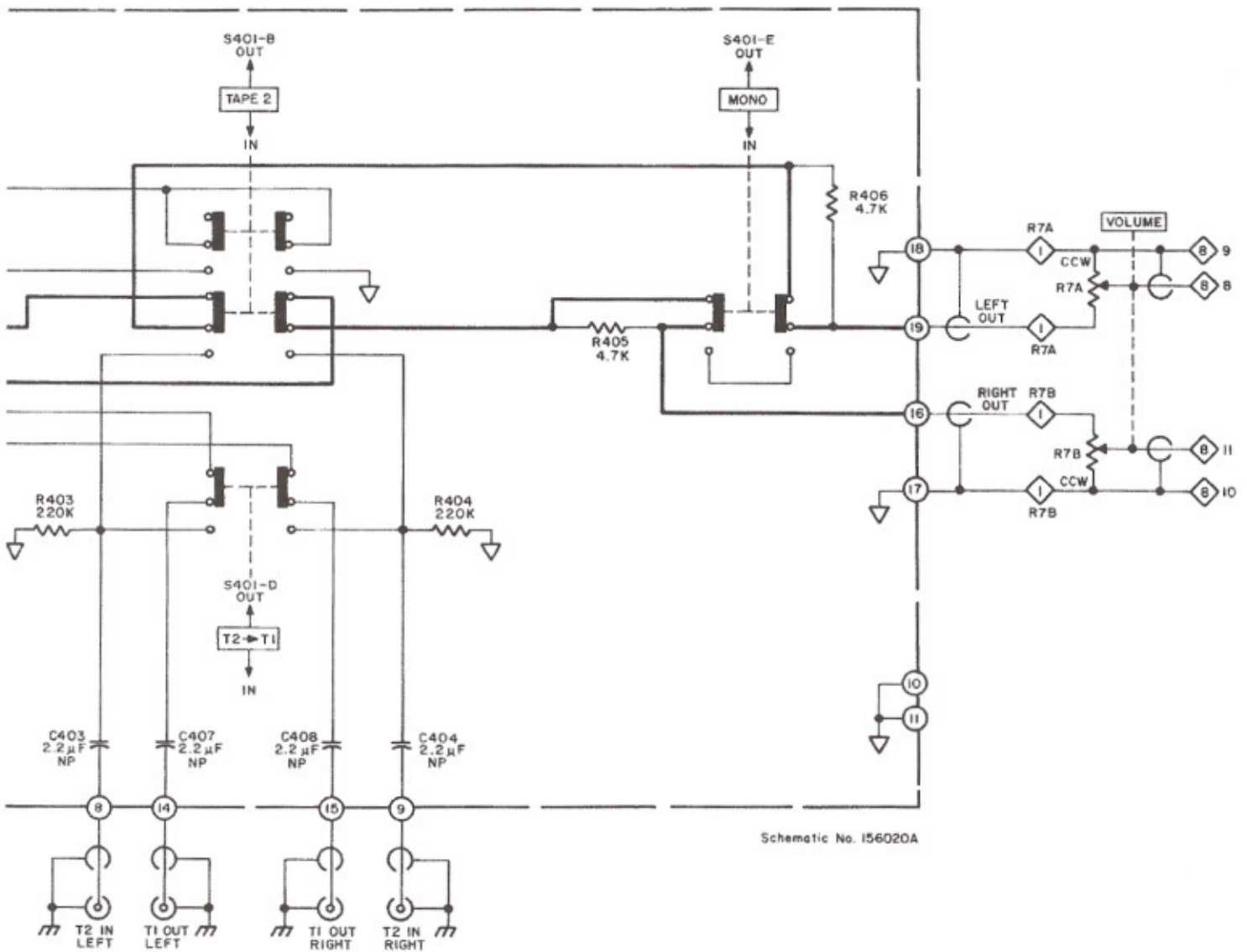




Schematic No. 156022A



Section **7** TAPE, MODE and



Schematic No. I56020A

POWER SWITCHES

